

### Models covered by this Quick Start Guide

IMPACT35, IMPACT55T, IMPACT65T.

Thank you for choosing a TURBOSOUND IMPACT series loudspeaker product for your application. If you would like further information about this or any other TURBOSOUND product, please contact us. A detailed user manual on this product is available on our web site at [www.turbosound.com](http://www.turbosound.com)

### Unpacking the Impact Loudspeakers

After unpacking the loudspeakers please check carefully for damage. If damage is found please notify your supplier at once. You, the consignee, must instigate any claim. Please retain all packaging in case of future re-shipment.

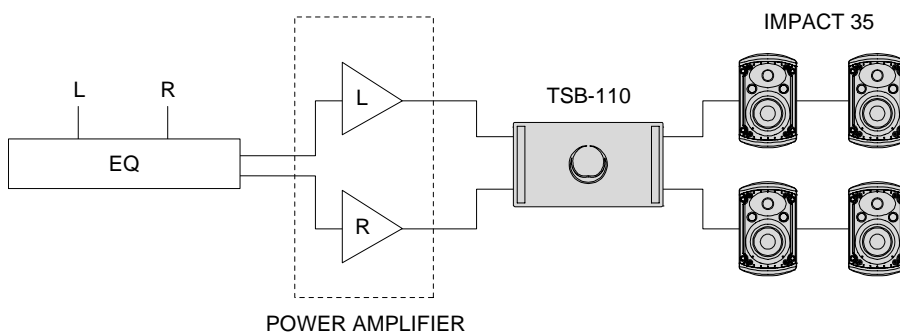
### System Requirements

#### Low Impedance Systems

When used as part of a low impedance system Impact series loudspeakers require only one amplifier channel for correct operation, the frequency splitting between the LF driver and the HF driver being accomplished by the internal passive crossover network built into each enclosure. Select the 16Ω setting on the voltage tap changer on the bottom of the cabinet. Amplifiers should be capable of delivering long term broadband power equal to the loudspeaker’s program power rating at its stated nominal impedance.

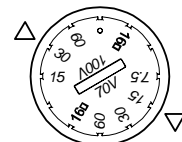
#### Use with Subwoofers

Passive subwoofers such as the TSB-110 can be added to increase low frequency performance without the need for additional power amplifiers. The subwoofer’s internal crossover filters high frequency signals out of the subwoofer cabinet to ensure a clean transition. Connect first to the subwoofer and then link out to the satellite speakers.



#### Distributed Systems

Impact loudspeakers can be used on 70 volt or 100 volt distributed systems. Connect loudspeakers to a suitable distribution amplifier, making sure that the maximum sum of the loudspeakers’ transformer taps do not exceed the distribution amplifier’s rated power output. Adjust the voltage tap selector to provide the appropriate loudness level.



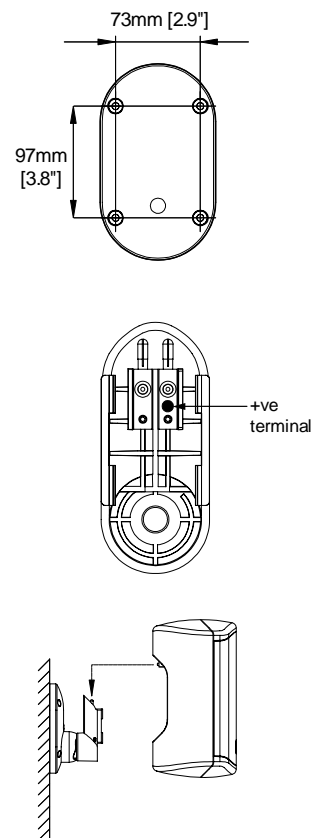
#### Loudspeaker Connections

Electrical connections to the IMPACT loudspeaker are provided as an integral part of the adjustable wall bracket supplied with each loudspeaker. Simply follow the instructions in the Mounting and Fixing section following.

## Mounting and Fixing

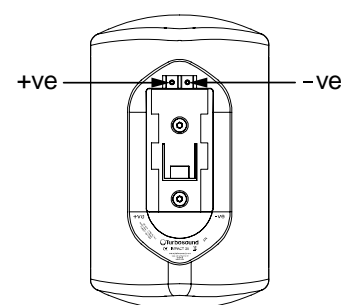
### Installing the Loudspeaker with the Supplied Wall Bracket

- The loudspeaker connections are provided as an integral part of the wall bracket.
- Site the bracket on to the mounting surface, making sure there is sufficient free travel vertically and horizontally to allow full angle adjustment of the loudspeaker, and feed the speaker cables through the main bracket assembly from the rear.
- Fix the wall bracket securely to the mounting surface using appropriate fixings. The correct hole spacing and bracket orientation are shown here.
- Terminate the speaker cable by stripping to length and connecting to the bracket assembly, ensuring correct polarity. Use the smaller Allen key to tighten the grub screws on to the cable. The right terminal is positive (+ve) and the left terminal is negative (-ve).
- Offer the loudspeaker up to the bracket and lock into place with a downward motion. This action automatically closes the electrical connections.
- Angle the loudspeaker as required and lock the bracket using the larger Allen key provided.



### Installing the Loudspeaker with other Wall and Ceiling Brackets

- When installing IMPACT loudspeakers with CB-10, WB-10 or OmniMount brackets you will need to terminate the cables directly at the loudspeaker as shown.
- Unscrew the M6 countersunk bolts holding the bracket shoe. Leaving the bracket shoe in place attach the wall or ceiling bracket directly to the loudspeaker's M6 fixing points using the screws provided with the bracket. Angle as necessary and tighten all fixings.



## Spares and Accessories

LS-35	3.5" low frequency driver for IMPACT35
LS-50	5" low frequency driver for IMPACT55T
LS-51	5" low frequency driver for IMPACT65T
TW-52	High frequency tweeter for IMPACT35/55T/65T
WB-5	Adjustable plastic wall bracket
WB-10	Adjustable steel wall bracket
CB-10	Adjustable steel ceiling bracket